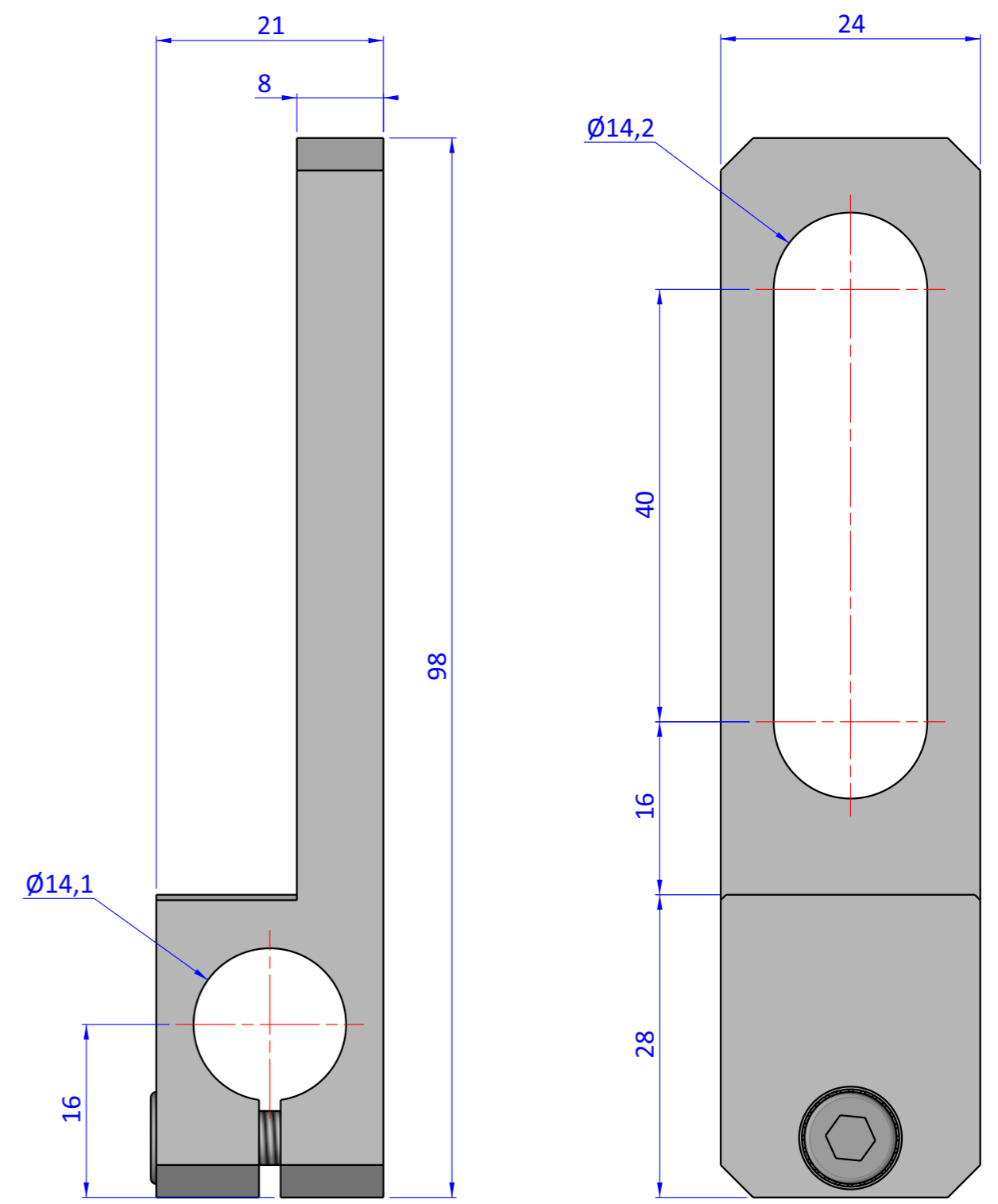
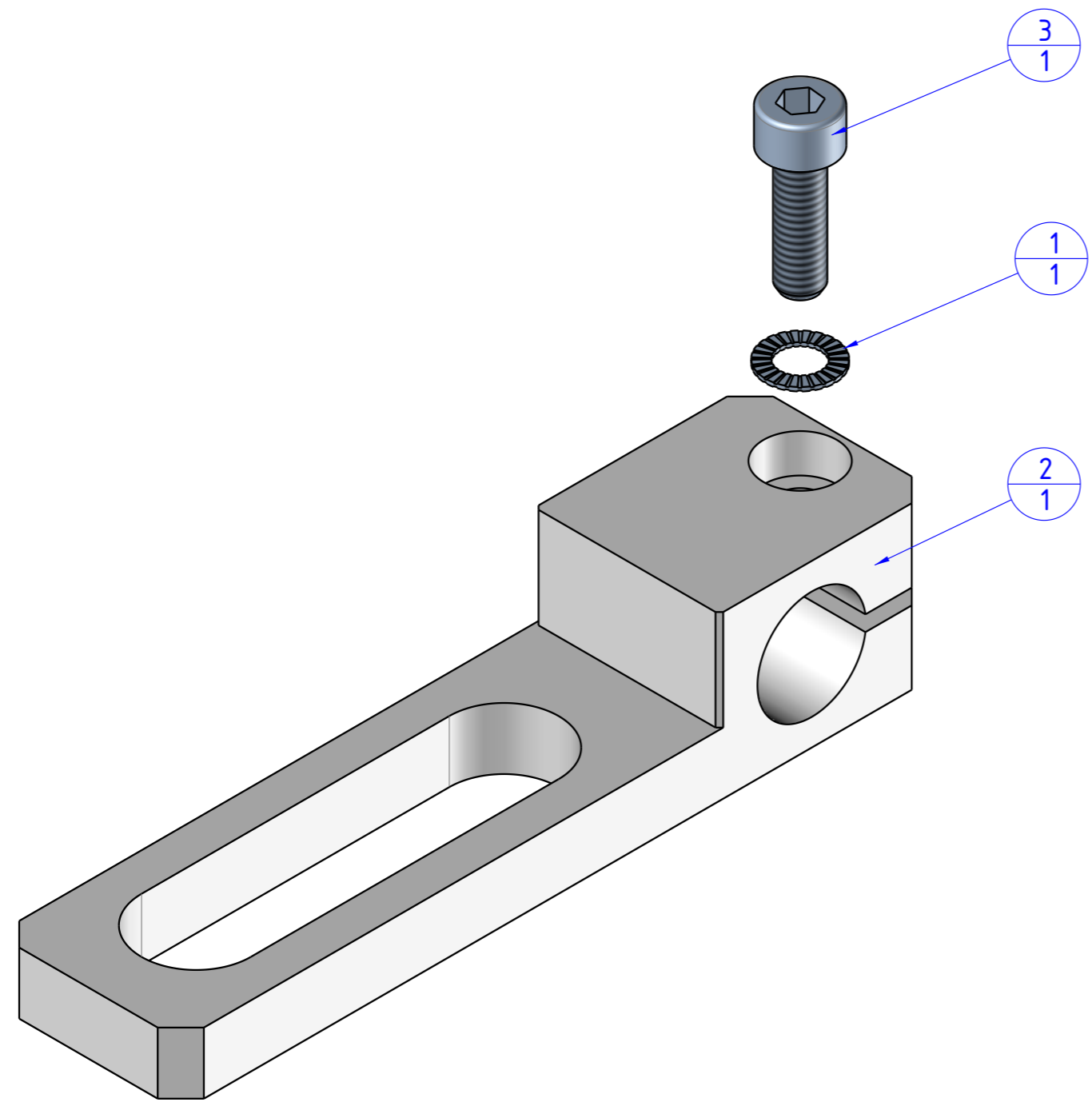

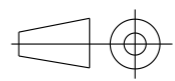


THE PROPERTY OF THE DRAWING IS ESTABLISHED BY LAW. IT IS FORBIDDEN TO PRODUCE OR SHOW IT TO THIRD PART. WITHOUT A WRITTEN AGREEMENT.

Item	Name	Q.ty
1	R.5.SCH	1
2	STS.1414	1
3	V.TCE5x16	1



Format A3
UNI 936-76

 FPS SERVICES AUTOMATION				DESIGNED FROM FPS Automation	REVIEW A
GENERAL TOLERANCE UNI - ISO 2768 CLASSE f		DESCRIPTION CA.STS.1414		DATE 21/06/2022	WEIGHT 0,050kg
				CODE CA.STS.1414	CODE CA.STS.1414